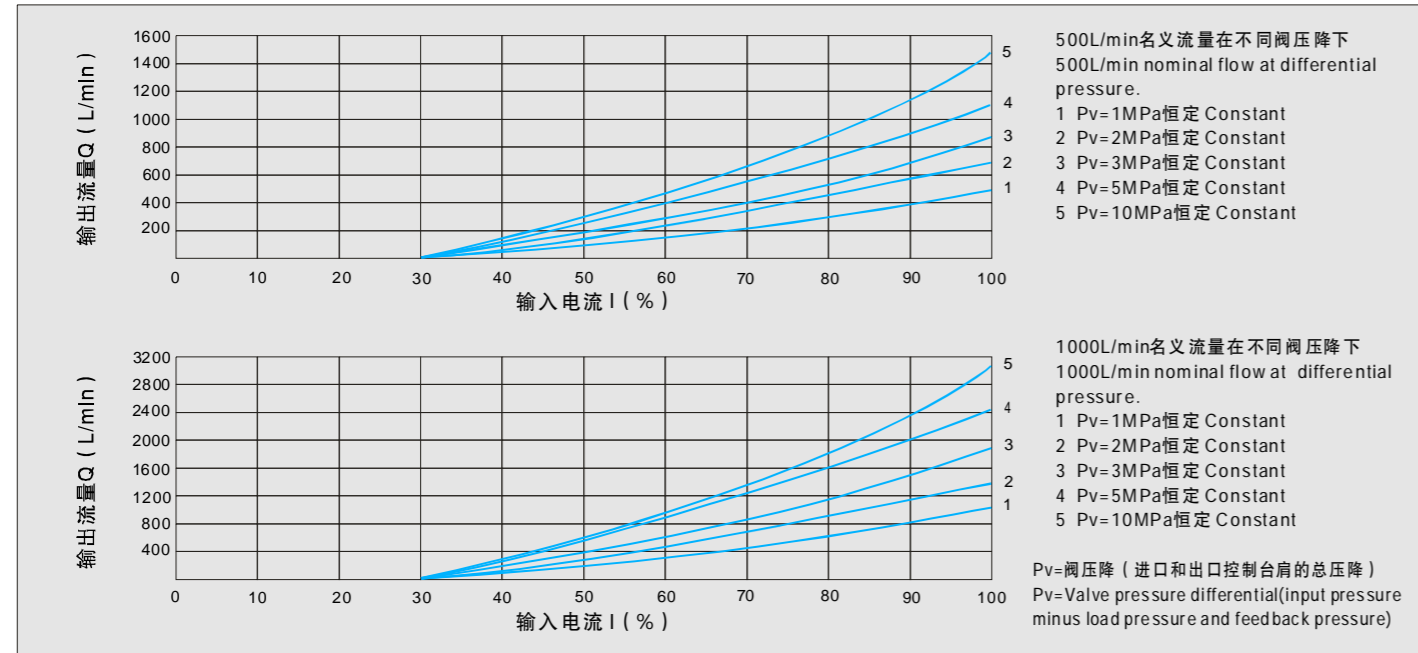
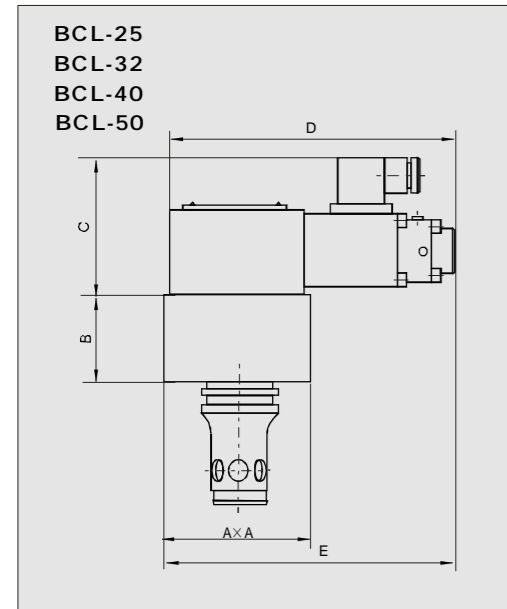


Proportional cartridge restrictive valve

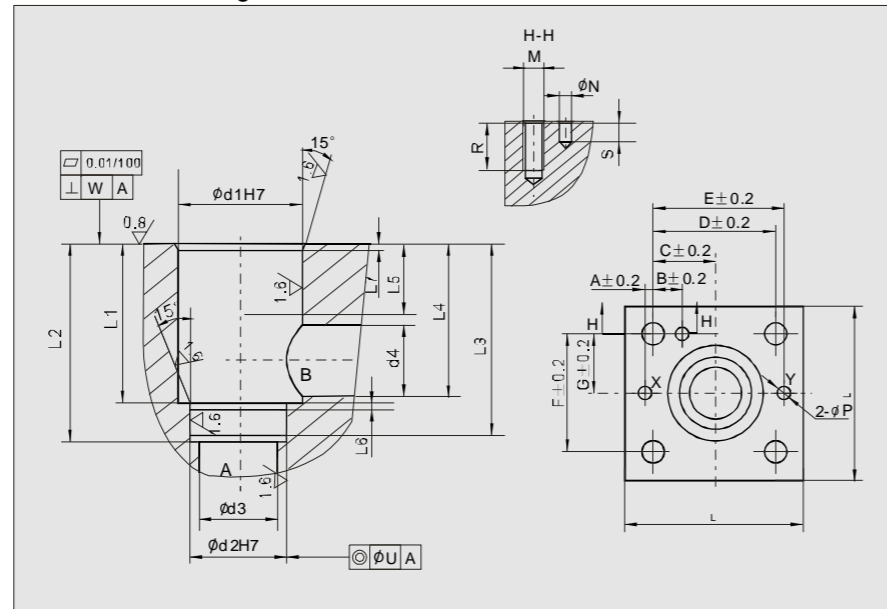
25、32、40、50型特性曲线 (试验条件 $v=36 \times 10^{-6} \text{m}^2/\text{S}$ $t=50^\circ\text{C}$) Model Characteristic Curves (Testing Condition $v=36 \times 10^{-6} \text{m}^2/\text{S}$ $t=50^\circ\text{C}$)



外形尺寸 Mounting size



安装尺寸 Mounting size



型号 Model	A	B	C	D	E	紧固螺钉 Fixing screw
BCL-25	85	40	80	166	168.5	4M8
BCL-32	100	50	80	166	176	4M16
BCL-40	125	60	80	166	188.5	4M20
BCL-50	140	68	80	166	196	4M20

盖板安装面和阀套尺寸 Cover installation surface and valve sleeve size

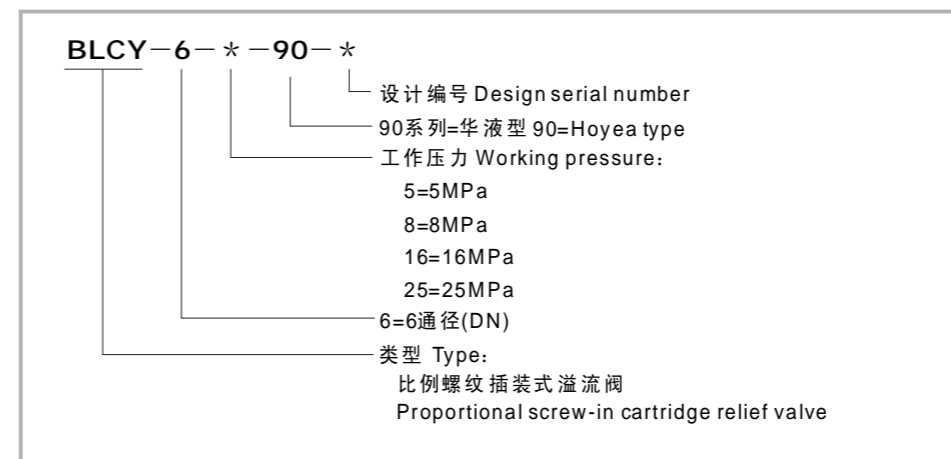
型号 Size	盖板安装面 Cover installation surface										插装孔 Cavity size															
	A	B	C	D	E	F	G	L	M	N	P	R	S	d1	d2	d3	d4	L1	L2	L3	L4	L5	L6	L7	U	W
BCL-25	4	13	29	58	62	58	29	85	M12	6	6	30	8	45	34	25	27	58	72	70	57	30	2.5	2.5	0.03	0.05
BCL-32	6	18	35	70	76	70	35	102	M16	6	8	38	8	60	45	32	38.5	70	85	83	68.5	30	2.5	2.5	0.03	0.1
BCL-40	7.5	19.5	42.5	85	92.5	85	42.5	125	M20	6	10	46	8	75	55	40	54.5	87	105	102	84.5	30	3	3	0.05	0.1
BCL-50	8	20	50	100	108	100	50	140	M20	8	10	46	8	90	68	50	62.5	100	122	117	97.5	35	3	3	0.05	0.1

Proportional screw-in cartridge relief valve

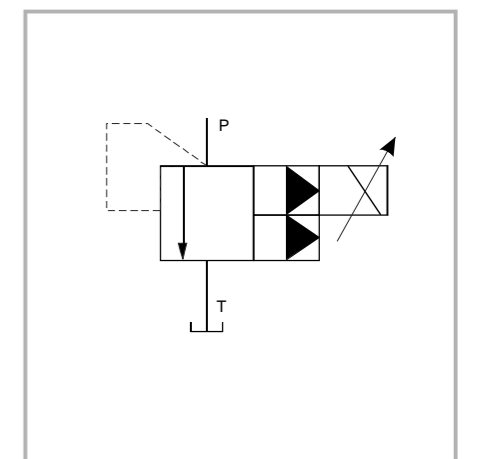


BLCY型比例溢流阀是螺纹插装式的先导式溢流阀，可以作中小流量液压系统的压力控制阀，根据输入电流的大小比例控制系统压力。

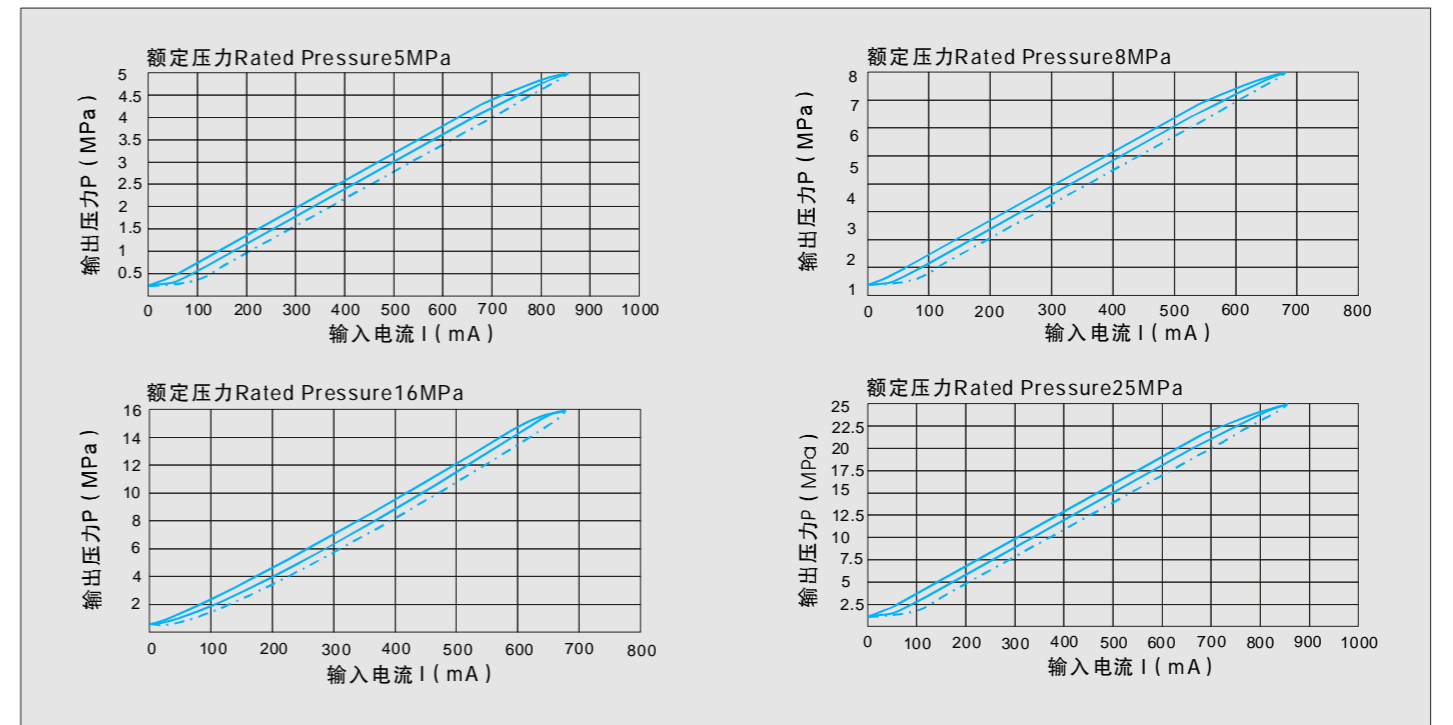
型号说明 Model instruction



机能符号 Code symbol



特性曲线 (试验条件 $v=36 \times 10^{-6} \text{m}^2/\text{S}$ $t=50^\circ\text{C}$) Characteristic Curves (Testing Condition $v=36 \times 10^{-6} \text{m}^2/\text{S}$ $t=50^\circ\text{C}$)



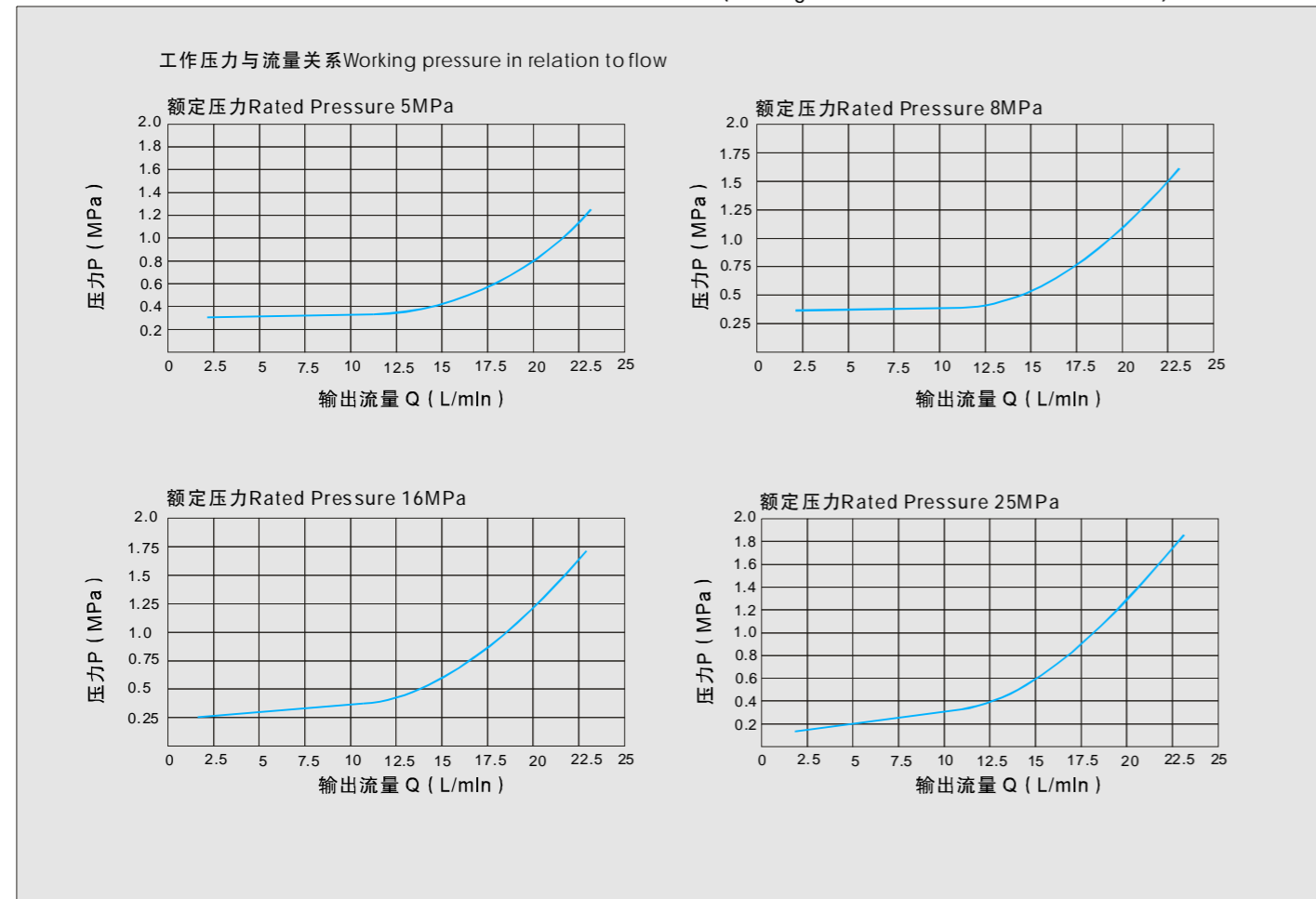
技术参数 Technical specification

最大流量 Maximum flow (l/min)	25
最小流量 Minimum flow (l/min)	3
最高工作压力 Maximum pressure (MPa)	25
额定电流 Rated current (mA)	800
线圈电阻 Coil Resistance (Ω)	10
滞环 Hysteresis (%)	$< \pm 1.5$
重复精度 Repeatability (%)	$< \pm 2$
重量 Weight (Kg)	1.2

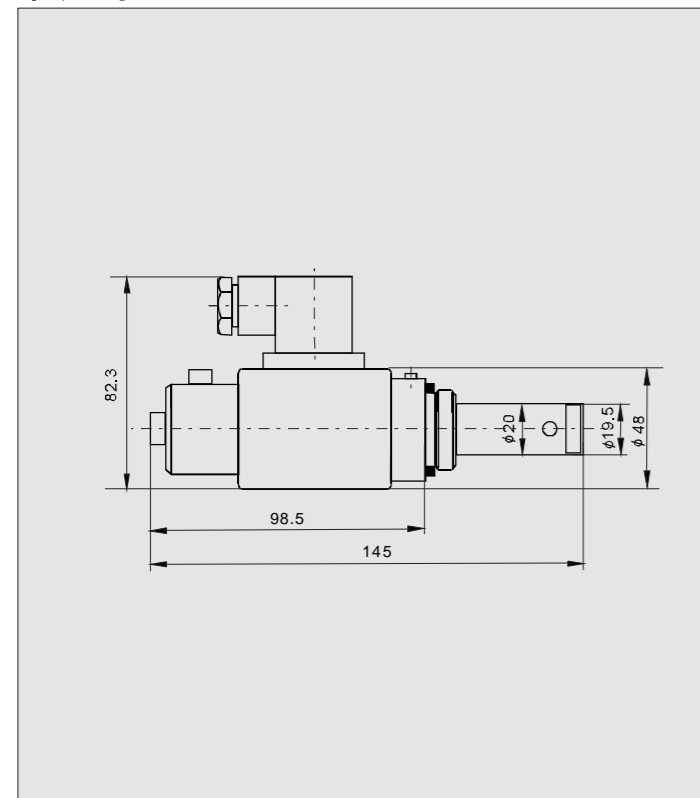
BLCY as screw-in cartridge relief valve, controlling the hydraulic system according to input current, always is used in hydraulic system with not large flow situation.

Proportional screw-in cartridge relief valve

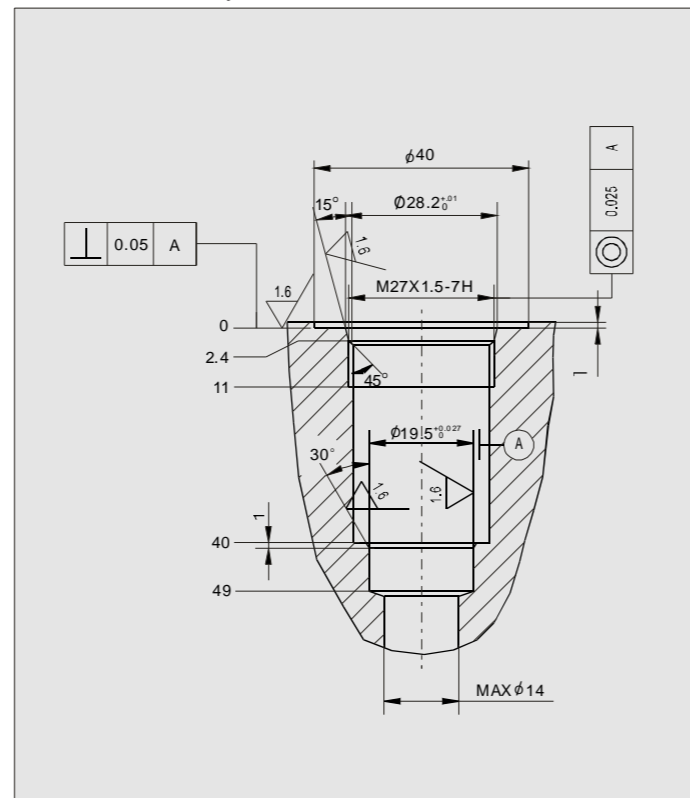
特性曲线 (试验条件 $v=36 \times 10^{-6} \text{m}^2/\text{S}$ $t=50^\circ\text{C}$) Characteristic Curves (Testing Condition $v=36 \times 10^{-6} \text{m}^2/\text{S}$ $t=50^\circ\text{C}$)



外形尺寸 Outside size



插件孔尺寸 Cavity size



Proportional screw-in cartridge flow control valve

技术参数 Technical specification

额定流量 Rated flow (l/min)	56
内泄漏量 Internal leakage (l/min)	0.38(21MPa全闭状态 Closed situation)
液压介质 Hydraulic fluid	矿物质液压油、磷酸酯液压油 Mineral oil or phosphate-ester
介质温度范围 Fluid temp. ($^\circ\text{C}$)	-20~70
起始电流 Initial current (mA)	125 \pm 50
最大电流 Max. Current (mA)	725 \pm 50



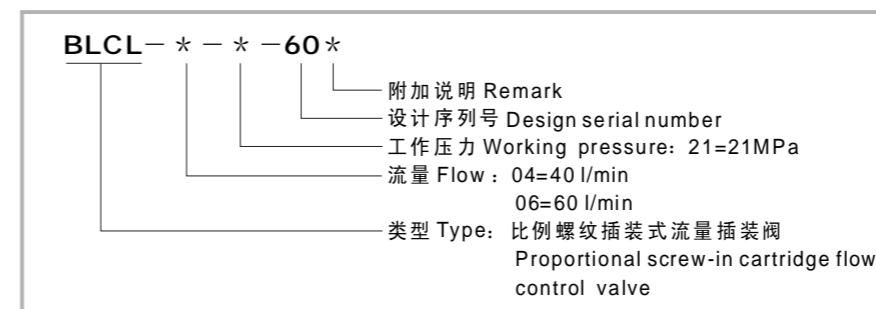
BLCL型是一种电磁线圈操纵、电量可调、二通滑阀型、带压力补偿的常闭式比例流量控制阀。

通过调节输入电磁线圈的电流，可调节出油口2输出流量的大小，流量不受负载压力变化的影响。

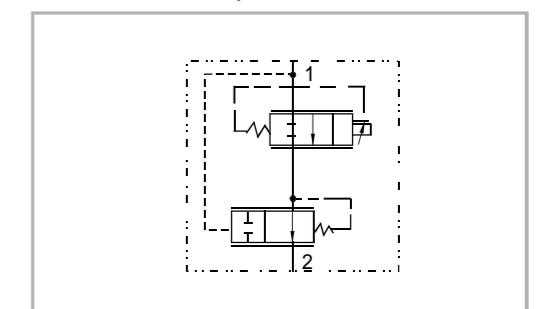
Solenoid operated, Input current adjustment, 2-way and pressure compensation are characters for this type normal closed proportional screw-in cartridge flow control valve.

Adjusting the flow changable for port 2 with no fluence by pressure load is available according to input signal

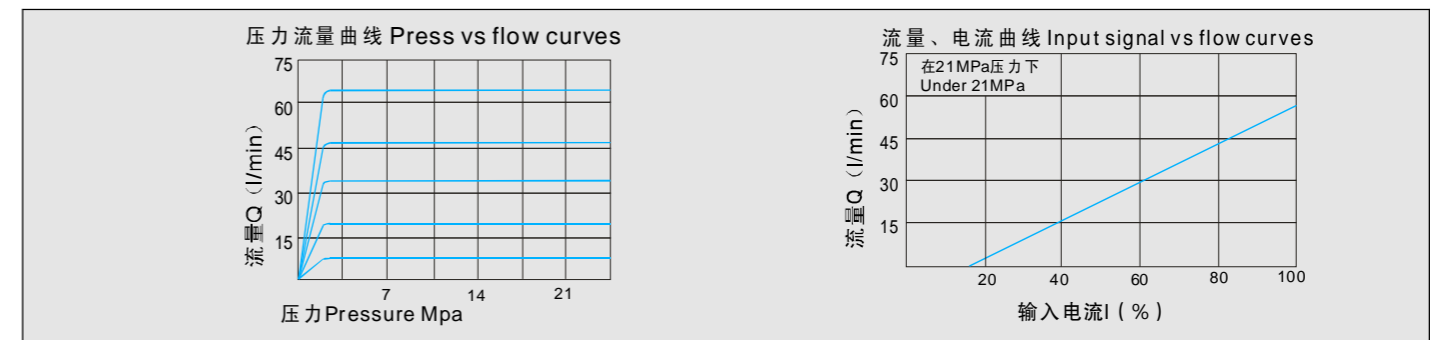
型号说明 Model instruction



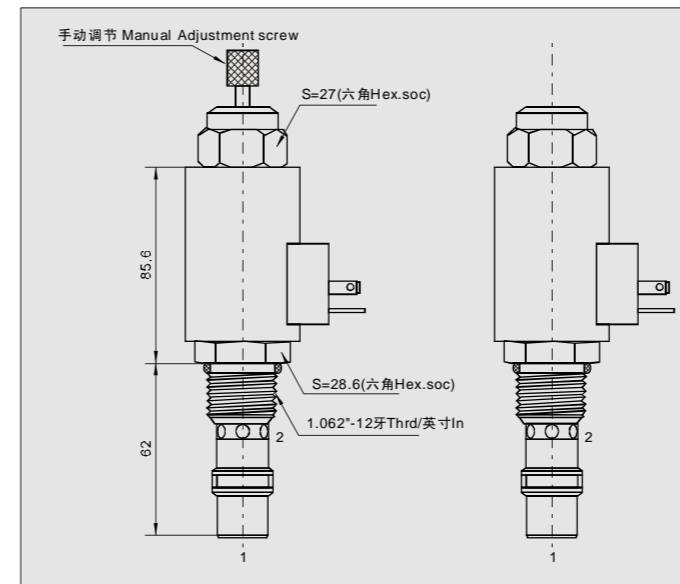
机能符号 Code symbol



特性曲线 Performance curves



外形尺寸 Outside size



插孔尺寸 Cavity size

