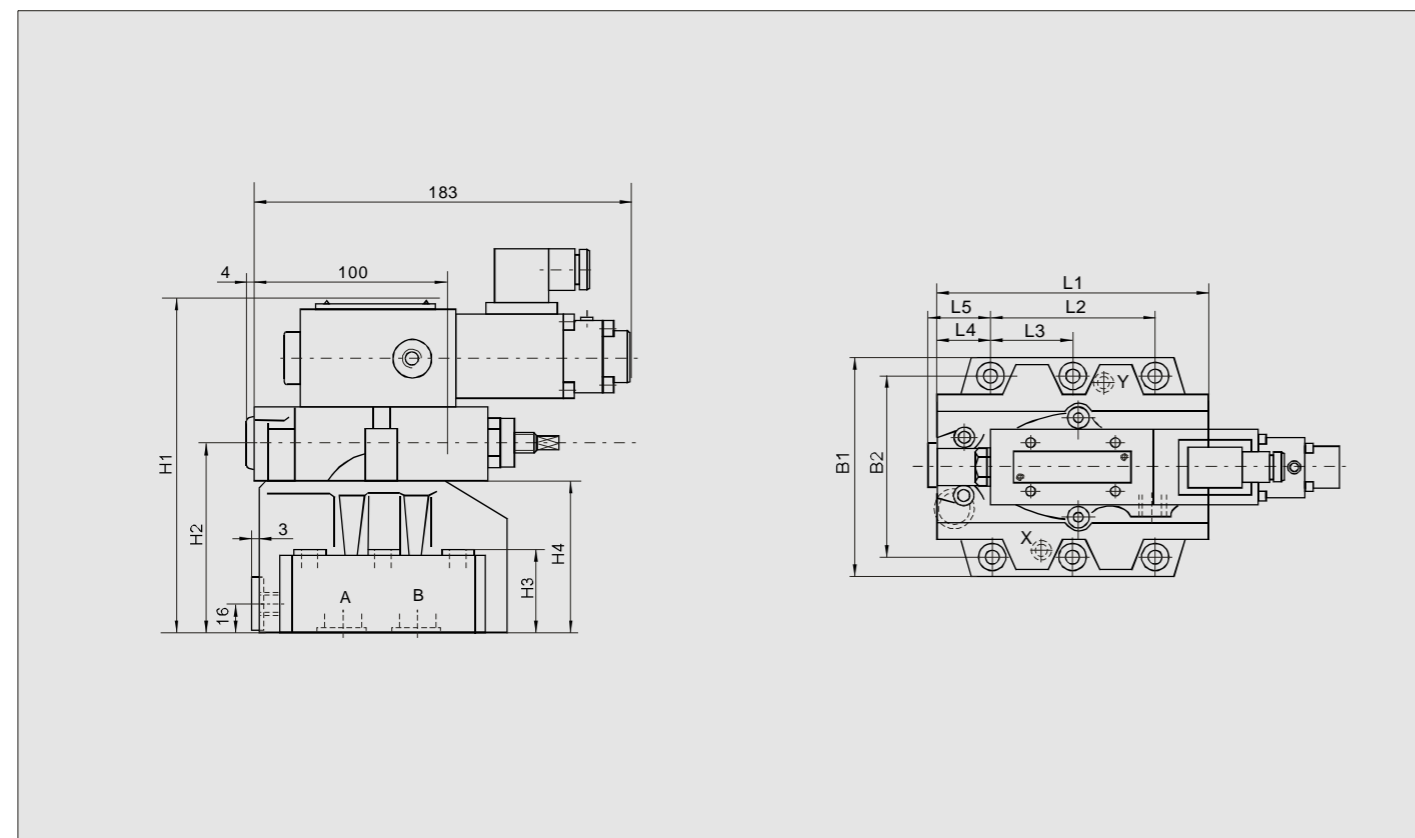
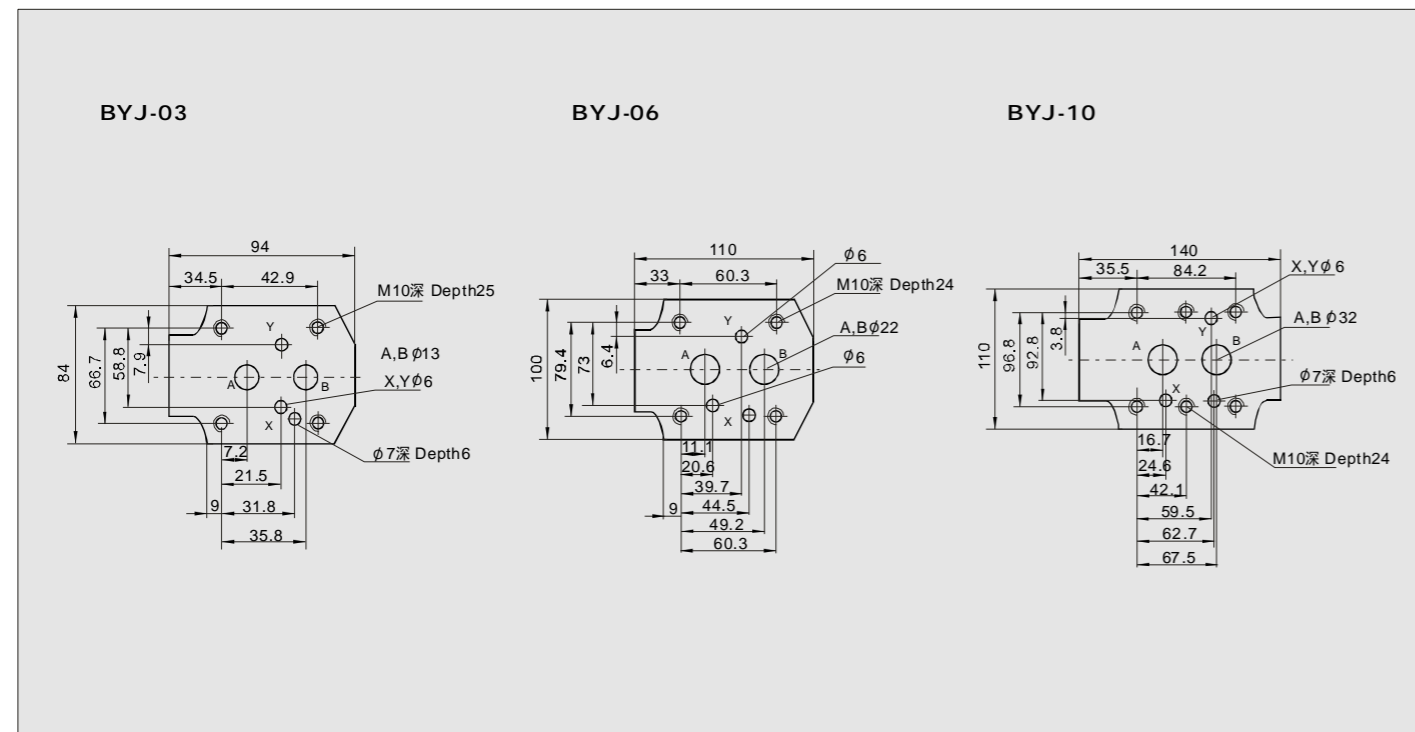


Proportional pilot-operated pressure reducing valve

外形尺寸 Outside size



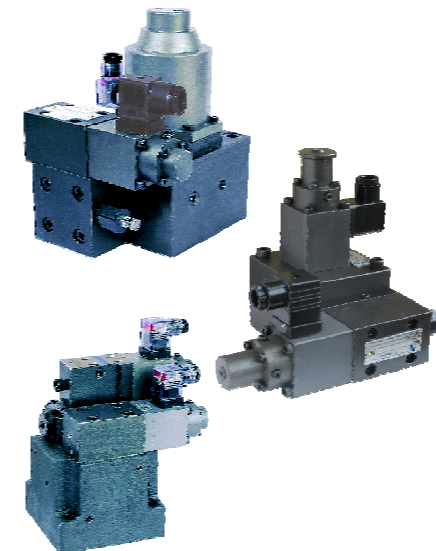
底板尺寸 Plate size



型号 Model	B1	B2	H1	H2	H3	H4	L1	L2	L3	L4	L5
BYJ-03	85	66.7	190	92	28	72	90	42.9	-	35.5	34.5
BYJ-06	102	79.4	200	102	38	82	112	60.3	-	33.5	37
BYJ-10	120	96.8	208	110	46	90	140	84.2	42.1	28	31.3

Proportional electro-hydraulic control P-Q valve

技术参数 Technical specification

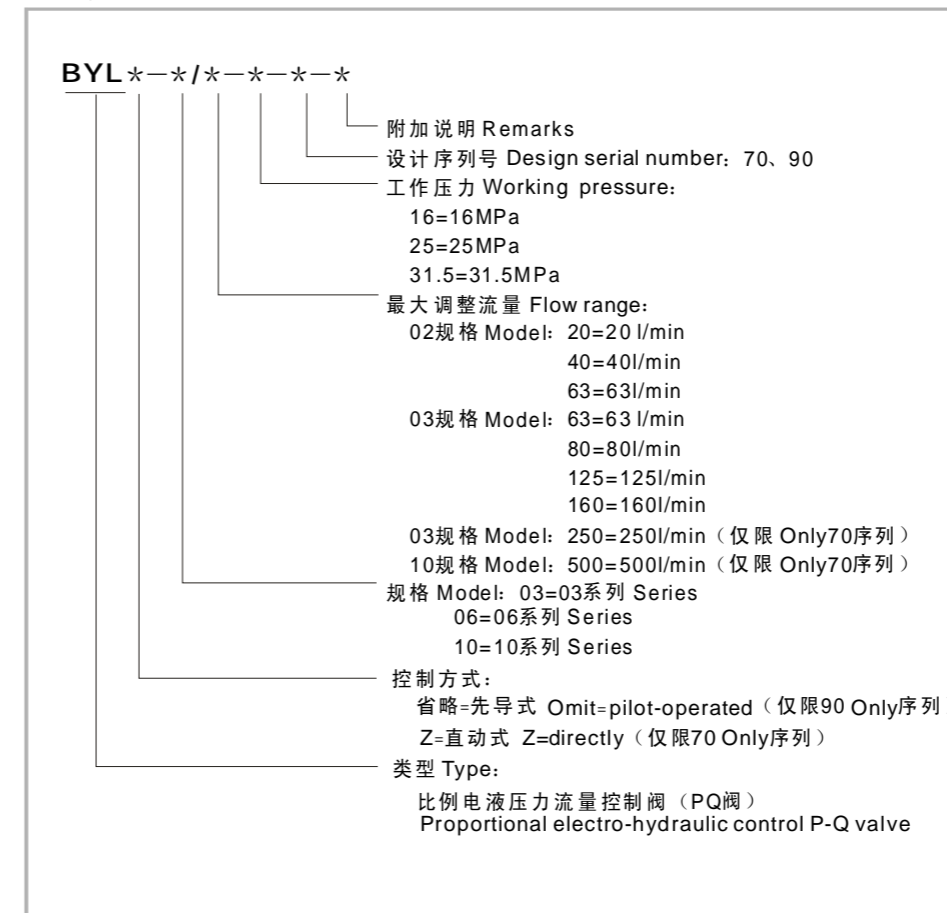


型号 Model	BYLZ-02-*	BYL-03-*	BYLZ-03-*	BYLZ-06-250-*	BYLZ-10-500-*	
最高工作压力 Maximum pressure (MPa)	31.5					
最大流量 Maximum flow (l/min)	63	160	160	250	500	
流量调整范围 Flow range (l/min)	1-63	1-160	1-160	2.5-250	5-500	
流量控制 Flow control	额定电流 Rated current (mA)	800				
	线圈电阻 Coil resistance (Ω)	19.5	10	43.5	43.5	43.5
	阀压差 P differential(MPa)	0.6	0.8	0.6	0.7	0.9
	滞环 Hysteresis (%)	<5	<5	<7	<7	<7
	重复精度 Repeatability (%)	<1				
压力控制 Pressure control	压力调整范围 Pressure range (MPa)	16:1.2-16 25:1.2-25 31.5:1.2-31.5	16:1.4-16 25:1.4-25 31.5:1.4-31.5	16:1.4-16 25:1.4-25	16:1.5-16 25:1.5-25	16:1.6-16 25:1.6-25
	额定电流 Rated current (mA)	800				
	线圈电阻 Coil resistance (Ω)	10	19.5	10	10	10
	滞环 Hysteresis (%)	<3				
	重复精度 Repeatability (%)	<1				
	重量 Weight (Kg)	7	15	16	30	60

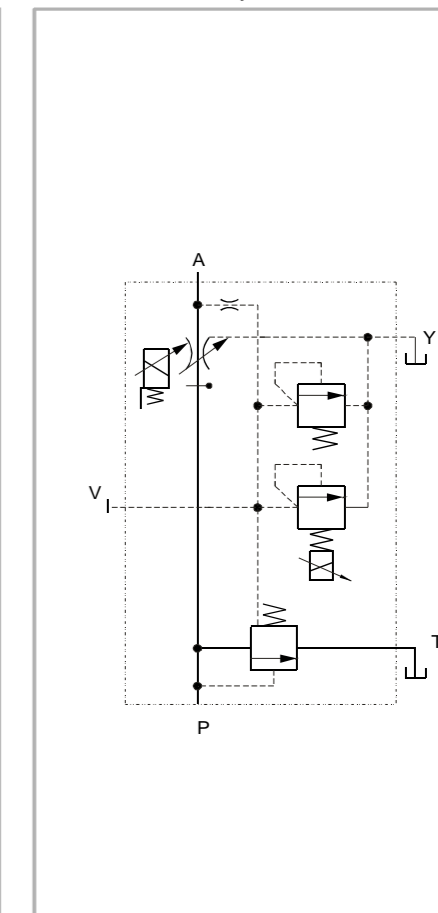
本阀是用两路电信号分别控制液压系统的压力和流量的比例阀：本阀以很小的压差追踪负载压力，控制泵压力，是一种节能型阀。

This proportional valve adopts two electrical loops to control pressure and flow of hydraulic system respectively. Using very small pressure drop to track load pressure and control the pump pressure, it is an energy-saving valve.

型号说明 Model instruction

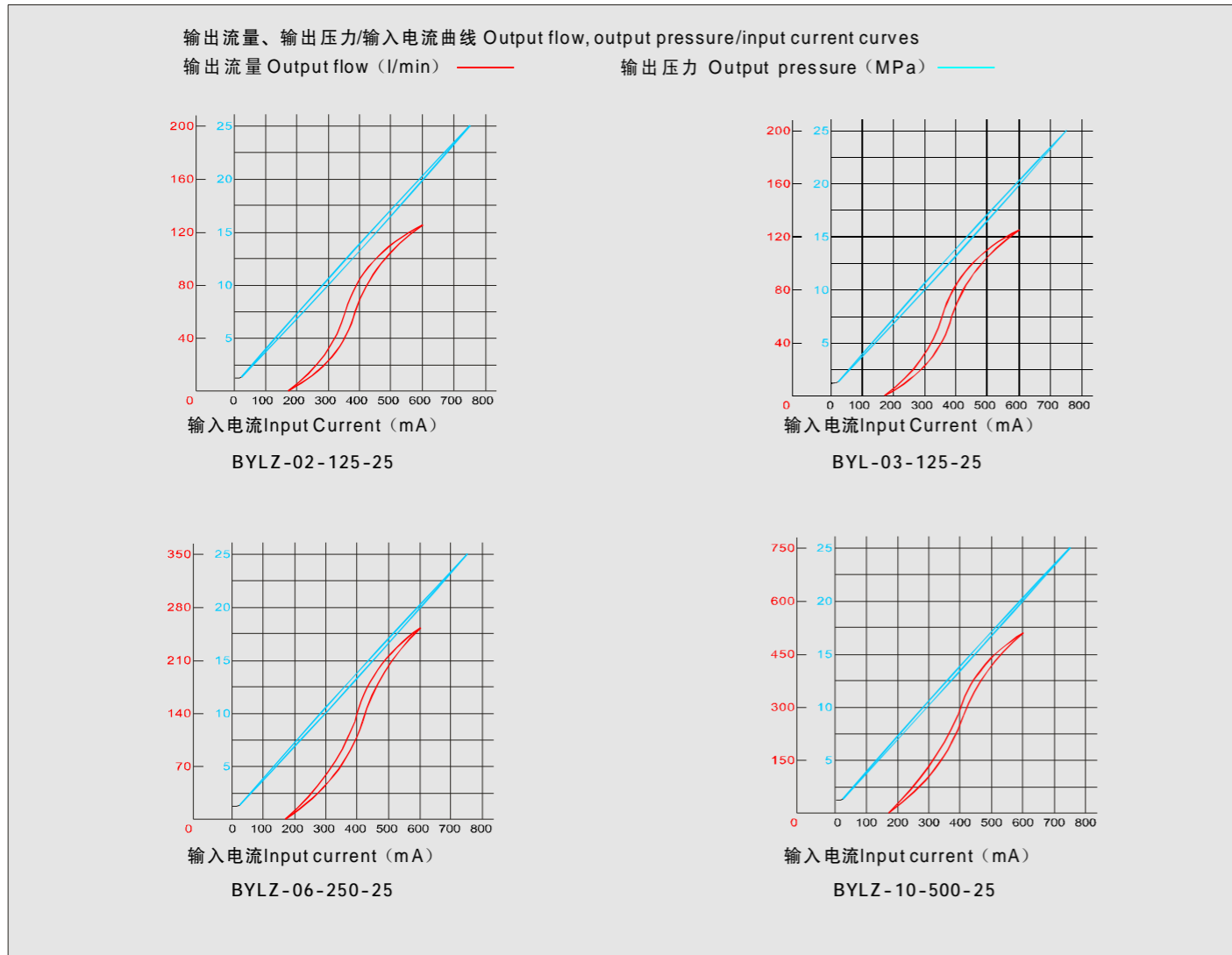


机能符号 Code symbol

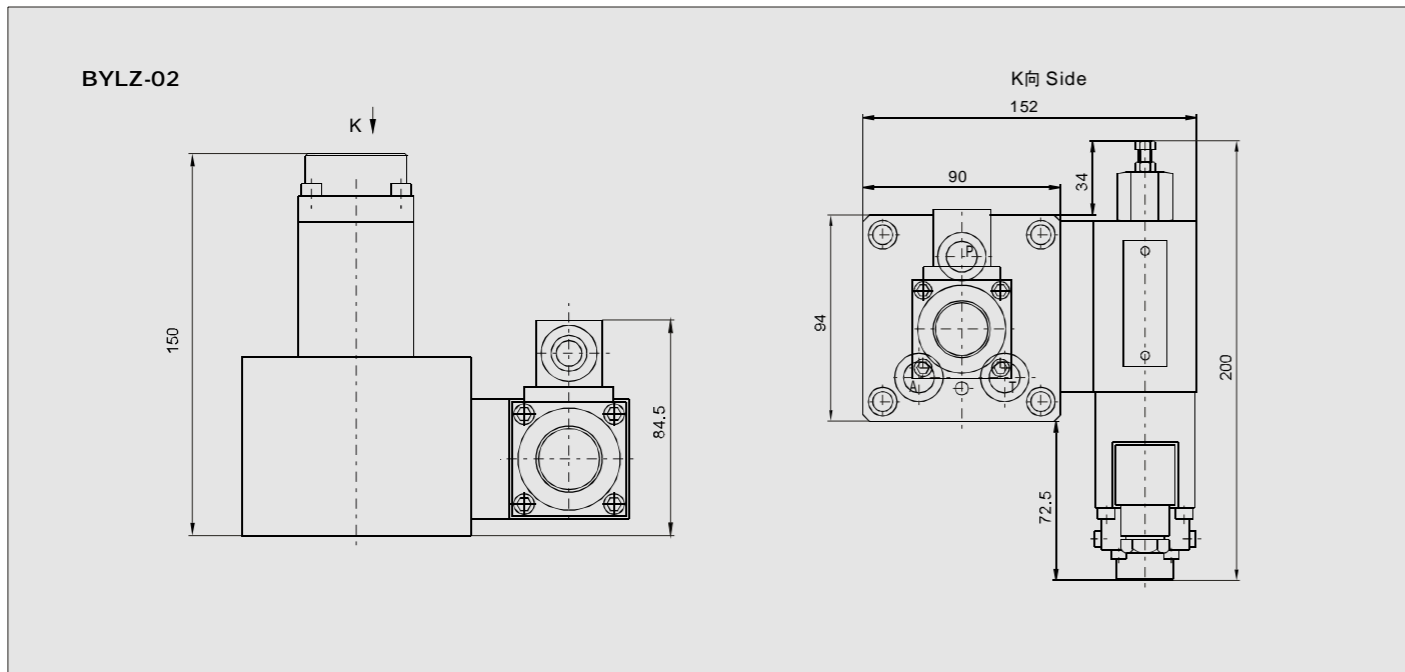


Proportional electro-hydraulic control P-Q valve

02、03、06、10型特性曲线 (试验条件 $v=36 \times 10^{-6} \text{m}^2/\text{S}$ $t=50^\circ\text{C}$) Model Characteristic Curves (Testing Condition $v=36 \times 10^{-6} \text{m}^2/\text{S}$ $t=50^\circ\text{C}$)

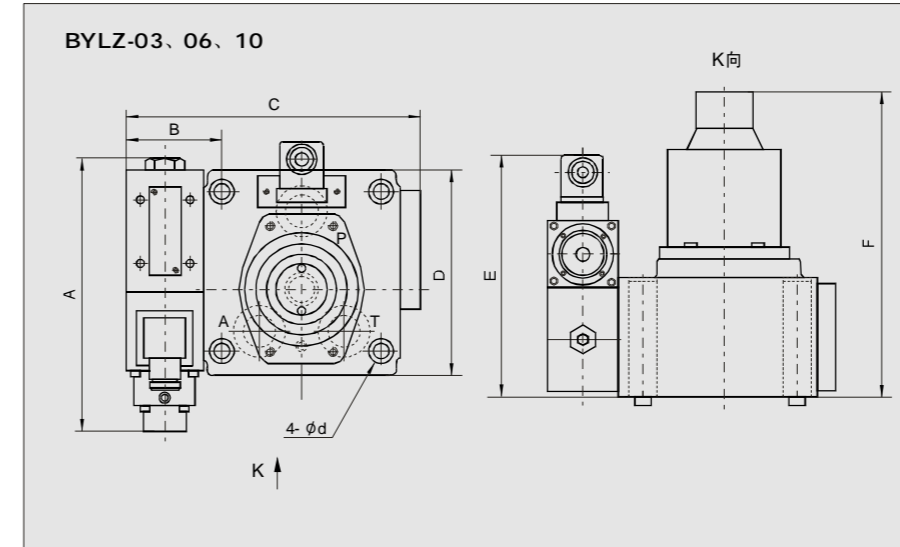


外形尺寸 outside size

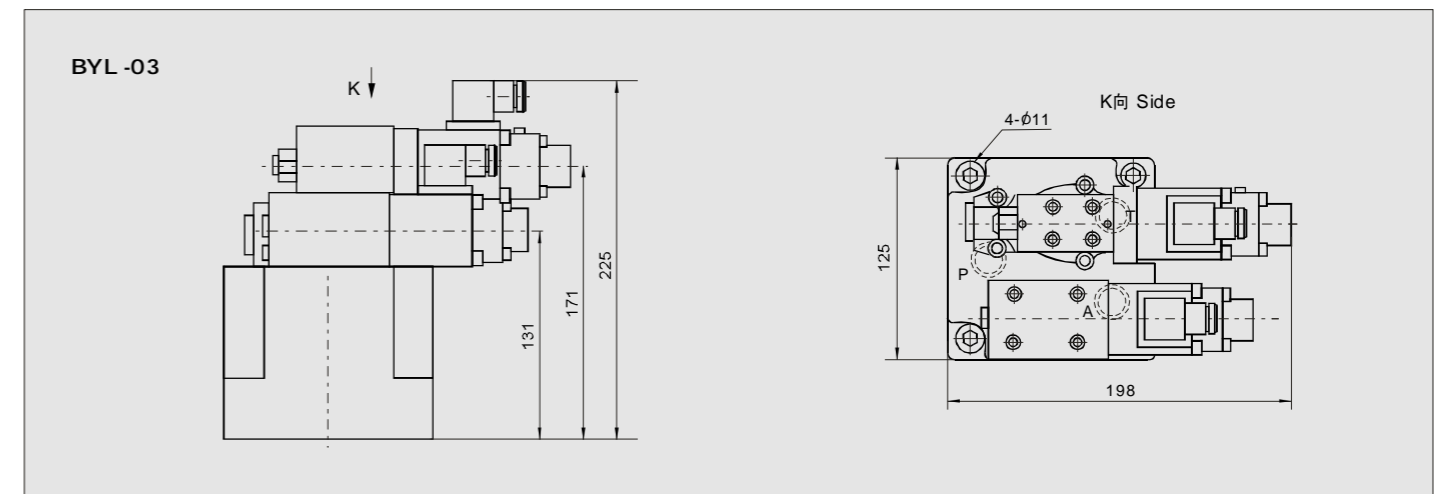
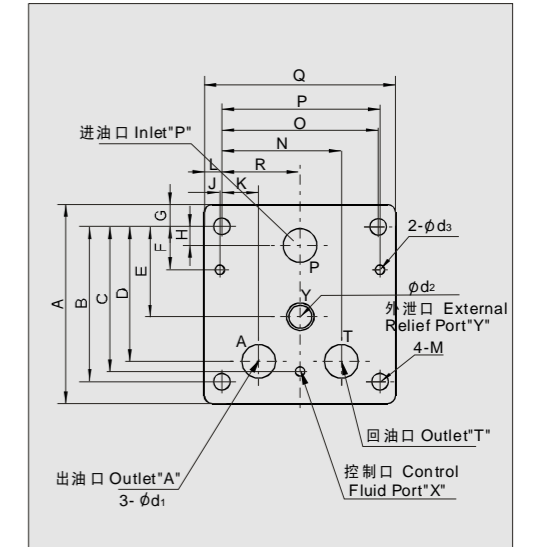


Proportional electro-hydraulic control P-Q valve

外形尺寸 Outside size



底板尺寸 Plate size



外形尺寸 outside size

型号 Model	A	B	C	D	E	F	d
BYLZ-03 BYL-03	171	61.7	188	130	171	216	11
BYLZ-06	171	67	247	174	199.5	248	17.5
BYLZ-10	171	73.5	315	224	219.5	278	21.5

底板尺寸 Plate size

型号 Model	A	B	C	D	E	F	G	H	J	K	L	R	N	O	P	Q	M	d ₁	d ₂	d ₃
BYLZ-02	44	76	70	65	43	45	9	10	3	16.5	9	36	55.5	72	73	90	M8	14	10	7×7L
BYLZ-03 BYL-03	130	101.6	95.3	88.9	59	28.6	14.2	12.7	0.8	23.8	11.7	50.8	77.8	101.6	102.4	125	M10	23	11	7×7L
BYLZ-06	174	133.4	133.4	107	85.7	41.3	24	12.7	1.6	28.1	17	73.1	118.1	146.1	144.5	180	M16	29	14	17.5×10L
BYLZ-10	250	177.8	177.8	144.5	119	55.5	36	17.5	1.6	35	23.5	98.5	162	196.9	198.4	244	M20	43.5	14	20×15L

使用注意事项 Note in use

- 泄油背压
Discharge back press $\leq 0.2 \text{MPa}$
回油背压
Return back press $\leq 0.5 \text{MPa}$
- 在压力控制状态下溢流阀的最小稳定流量
Minimum stable flow under controlled pressure:
公称尺寸 Nominal size 03, 06 $\geq 10 \text{l/min}$
公称尺寸 Nominal size 10 $\geq 15 \text{l/min}$
- 使用注意事项: 选择朝上排气孔
排出管路内空气
Vent hole orientation can be adjusted freely. Put it upward to vent off the air from the piping.